

Flow Measurement

SITRANS F C

Transmitter SIFLOW FC070

Overview



SIFLOW FC070 is based on the latest developments within the digital processing technology – engineered for high performance, fast flow step response, immunity against process generated noise, easy to install, commission and maintain.

SIFLOW FC070 is available in two versions:

- SIFLOW FC070 Standard
- SIFLOW FC070 Ex CT

The SIFLOW FC070 transmitter delivers true multi-parameter measurements i.e. mass flow, volume flow, density, temperature and fraction.

SIFLOW FC070 is designed for integration in a variety of automation systems, i.e.:

- Central mounted in S7-300, C7
- Decentralized in ET 200M for use with S7-300 and S7-400 as PROFIBUS DP/PROFINET masters
- Decentralized in ET 200M for use with any automation system using standardized PROFIBUS DP/PROFINET masters
- Stand-alone via a MODBUS RTU master, i.e. SIMATIC PDM

The SIFLOW FC070 transmitter can be connected to all sensors of types MASS 2100, MC2, FCS200 and FC300.

Benefits

- Easy integration in SIMATIC S7 and PCS 7
- Support of SIMATIC PDM configuration tool via MODBUS
- Dedicated mass flow chip with high-performance ASIC technology
- True 30 Hz update rate securing fast batching and step response
- Superior noise immunity due to a patented DFT (Discrete Fourier Transformation) algorithm
- Front end resolution better than 0.35 ns improves zero point stability and enhances dynamic turn-down ratio on flow and density accuracy.
- Advanced diagnostics enhancing troubleshooting and meter verification
- Built-in batch controller with two-stage control and compensation
- Digital outputs for direct batch control, frequency/pulse
- MODBUS RTU RS 232/RS 485 interface for connection to SIMATIC PDM or any other MODBUS master

- Digital input for batch control, zero adjust
- Extensive simulation options for measurement values, I/O and errors easy communication/fault-finding
- Multiple LED's for easy indication of flow, error and I/O state
- SENSORPROM technology automatically configures the transmitter during start-up providing:
 - Factory pre-programming with calibration data, pipe size, sensor type and I/O settings
 - Any values or settings changed by the user is stored automatically
 - Automatically re-programming of a new transmitter, without loss of settings and accuracy
 - Transmitter replacement in less than 30 seconds
- Four-wire Pt1000 measurement ensuring optimum accuracy mass flow, density and fraction flow
- Fraction flow computation based on a 3rd-order algorithm matching all applications
- SIFLOW FC070 Ex CT is Custody transfer approved, according to OIML R 139 (Compressed gaseous fuel measuring systems for vehicles), when using the redundant digital output or the encrypted ActiveX component for SIMATIC touch panels.
- Free of charge ActiveX component for SIMATIC touch panels, enables encrypted sensor process values to be communicated between SIFLOW FC070 Ex CT and SIMATIC touch panels

Application

SIFLOW FC070 mass flowmeters are suitable for all applications within the entire process industry, where there is a demand for accurate flow measurement. The meters are suitable for measuring on liquid and gas.

The main applications for the SIFLOW FC070 transmitter can be found in the following industries:

- Food and beverage
- Pharmaceutical
- Automotive
- Oil and gas
- Power generation and utility
- Water and waste water

Design

SIFLOW FC070 is designed in an IP20 SIMATIC S7-300 enclosure and for use in central and de-central cabinets where sensors: FCS200, FC300, MASS 2100 and MC2 are remotely mounted.

Function

The following key functionalities are available:

- Mass flow rate, volume flow rate, density, temperature and fraction flow
- Two built-in totalizers which can freely be set for counting mass, volume or fraction
- 1 frequency/pulse output
- 1 phase shifted 90°/180° frequency/pulse output
- Two-stage batch controller
- 1 digital input
- Low flow cut-off
- Empty pipe detection
- Noise filter settings for different applications
- Simulation
- Automatic zero point adjustment with zero point evaluation feed back
- Configurable upper and lower alarm and warning limits for all process values
- Comprehensive status and error reporting

Technical specifications

Measurement of	Mass flow, volume flow, density, sensor temperature, fraction A flow, fraction B flow, fraction A in %
Measurement functions	
• Totalizer 1	Totalization of mass flow, volume-flow, fraction A, fraction B
• Totalizer 2	Totalization of mass flow, volume-flow, fraction A, fraction B
• Single and 2-stage batch function	Batching function with the use of one or two outputs for dosing in high and low speed
• 4 programmable limits	4 programmable high/low limits for mass flow, volume flow, density, sensor temperature, fraction A flow, fraction B flow, fraction A in %. Limits will generate an alarm if reached.
Digital input	
Functions	Start batch, stop batch, start/stop batch, hold/continue batch, reset totalizer 1, reset totalizer 2, reset totalizer 1 and 2, zero adjust, force frequency output, freeze frequency output
High signal	<ul style="list-style-type: none"> Nominal voltage: 24 V DC Lower limit: 15 V DC Upper limit: 30 V DC Current: 2 ... 15 mA
Low signal	<ul style="list-style-type: none"> Nominal voltage: 0 V DC Lower limit: -3 V DC Upper limit: 5 V DC Current: -15 ... +15 mA
Input	Approx. 10 kΩ
Switching	Max. 100 Hz.
Digital output 1 and 2	
Functions	<ul style="list-style-type: none"> Output 1: Pulse, frequency, redundancy pulse, redundancy frequency 2-stage batch, batch Output 2: Redundancy pulse, redundancy frequency, 2-stage batch
Voltage supply	3 ... 30 V DC (passive output)
Switching current	Max. 30 mA at 30 V DC
Voltage drop	≤ 3 V DC at max. current
Leakage current	≤ 0.4 mA at max. voltage 30 V DC
Load resistance	1 ... 10 kΩ
Switching frequency	0 ... 12 kHz 50 % duty cycle
Functions	Pulse, frequency, redundancy pulse, redundancy frequency 2-stage batch, batch
Communication	
MODBUS RS 232C	<ul style="list-style-type: none"> Max. baud rate: 115 200 baud Max. line length: 15 m at 115 200 baud Signal level: according to EIA-RS 232C
MODBUS RS 485	<ul style="list-style-type: none"> Max. baud rate: 115 200 baud Max. line length: 1200 m at 115 200 baud Signal level: according to EIA-RS 485 Bus termination: Integrated. Can be enabled by inserting wire jumpers.
Galvanic isolation	All inputs, outputs and communication interfaces are galvanically isolated. Isolation voltage: 500 V

Power	
Supply	24 V DC nominal
Tolerance	20.4 V DC ... 28.8 V DC
Consumption	Max. 7.2 W
Fuse	T1 A/125 V, not replaceable by operator
Environment	
Ambient temperature	<ul style="list-style-type: none"> Storage -40 ... +70 °C (-40 ... +158 °F)
Operation conditions	<p>Horizontally mounted rail. For SIFLOW FC070 Std.: 0 ... 60 °C (32 ... 140 °F) For SIFLOW FC070 Ex CT: -40 ... +60 °C (-40 ... +140 °F)</p> <p>Vertically mounted rail For SIFLOW FC070 Std.: 0 ... 45 °C (32 ... 113 °F) For SIFLOW FC070 Ex CT: -40 ... +45 °C (-40 ... +113 °F)</p>
Altitude	<ul style="list-style-type: none"> Operation: -1000 ... 2000 m (pressure 795 ... 1080 hPa)
Enclosure	
Material	Noryl, color: anthracite
Rating	IP20/NEMA 2 according to IEC 60529
Mechanical load	According to SIMATIC standards (S7-300 devices)
Approvals Ex	
SIFLOW FC070 Standard	CE, C-UL, ATEX II 3G Ex nA IIC
SIFLOW FC070 Ex CT	CE, C-UL, UL Haz.Loc., FM Class I, Div. 2 Groups A, B, C, D ATEX II (1)G [Ex ia] IIC Ga / II 3G Ex nA IIC T4 Gc and IEC Ex Ex nA [ia] IIC T4
Approvals Custody transfer	
SIFLOW FC070 Ex CT	PTB Germany approval no.: 5.4.11/11.22 OIML R 139 - Compressed gaseous fuel measuring systems for vehicles
Electromagnetic compatibility	Requirements of EMC law; Noise immunity according to EN/IEC 61326-1 Emitted interference according to EN 55011/CISPR-11
NAMUR	Within the limits according to "General recommendations" with error criteria A in accordance with NE 21
Programming tools	
SIMATIC S7	Configuration through backplane P-BUS, PLC program and WinCC flexible
SIMATIC PCS7	Configuration through backplane P-BUS and PLC/WinCC faceplates, certified driver
SIMATIC PDM	Through MODBUS port RS 232C and RS 485, certified driver

Flow Measurement

SITRANS F C

Transmitter SIFLOW FC070

Selection and Ordering data

Description	Article No.
SIFLOW FC070 flow transmitter Remember to order 40 pin front plug connector.	7ME4120-2DH20-0EA0
40 pin front plug with screw contacts	6ES7392-1AM00-0AA0
40 pin plug with spring contacts	6ES7392-1BM01-0AA0
SIFLOW FC070 Ex CT flow transmitter Remember to order 20 pin front plug connector.	7ME4120-2DH21-0EA0
20 pin plug with spring contacts	6ES7392-1BJ00-0AA0
20 pin front plug with screw contacts	6ES7392-1AJ00-0AA0






Operating instructions for SITRANS F C SIFLOW FC070

Description	Article No.
SIFLOW FC070 system manual	
• English	A5E00924779
• German	A5E00924776
SIFLOW FC070 with S7	
• English	A5E02254228
• German	A5E02665536
• French	A5E02591639
SIFLOW FC070 with PCS7	
• English	A5E03694109

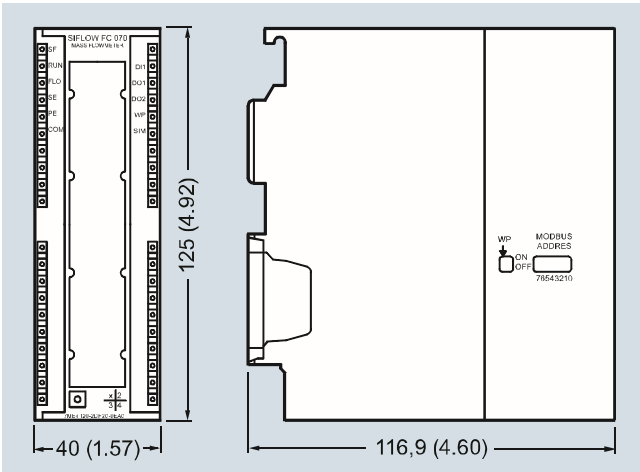
This device is shipped with a Quick Start guide and a CD containing further SITRANS F literature.

All literature is also available for free at:
<http://www.siemens.com/flowdocumentation>

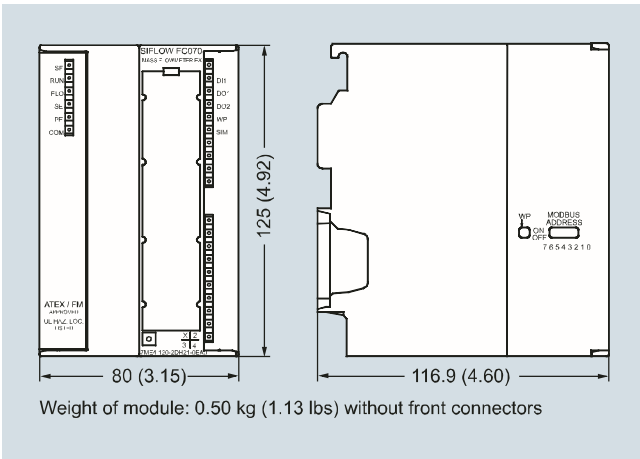
Accessories

Description	Article No.	
Cable with multiplug for connecting MASS 2100, FCS200 and FC300 sensors, 5 x 2 x 0.34 mm ² twisted and screened in pairs. Temperature range -20 ... +110°C (-4 ... +230 °F)		
• 5 m (16.4 ft)	FDK:083H3015	
• 10 m (32.8 ft)	FDK:083H3016	
• 25 m (82 ft)	FDK:083H3017	
• 50 m (164 ft)	FDK:083H3018	
• 75 m (246 ft)	FDK:083H3054	
• 150 m (492 ft)	FDK:083H3055	
Cable without multiplug for connecting MC2 sensors, 5 x 2 x 0.34 mm ² twisted and screened in pairs. Temperature range -20 ... +110°C (-4 ... +230 °F)		
• 10 m (32.8 ft)	FDK:083H3001	
• 25 m (82 ft)	FDK:083H3002	
• 75 m (246 ft)	FDK:083H3003	
• 150 m (492 ft)	FDK:083H3004	
SIMATIC S7-300 rail The mechanical mounting rack of the SIMATIC S7-300		
• 160 mm (6.3")	6ES7 390-1AB60-0AA0	
• 482 mm (18.9")	6ES7 390-1AE80-0AA0	
• 530 mm (20.8")	6ES7 390-1AF30-0AA0	
• 830 mm (32.7")	6ES7 390-1AJ30-0AA0	
• 2000 mm (78.7")	6ES7 390-1BC00-0AA0	
SIFLOW FC070 Demo suitcase with MASS 2100 DI 1.5 sensor and SIMATIC HMI TP 177B touch panel	A5E01075465	
SIMATIC S7-300, stabilized power supply PS307 Input: 120/230 V AC Output: 24 V DC/2 A	6ES7307-1BA01-0AA0	

Dimensional drawings



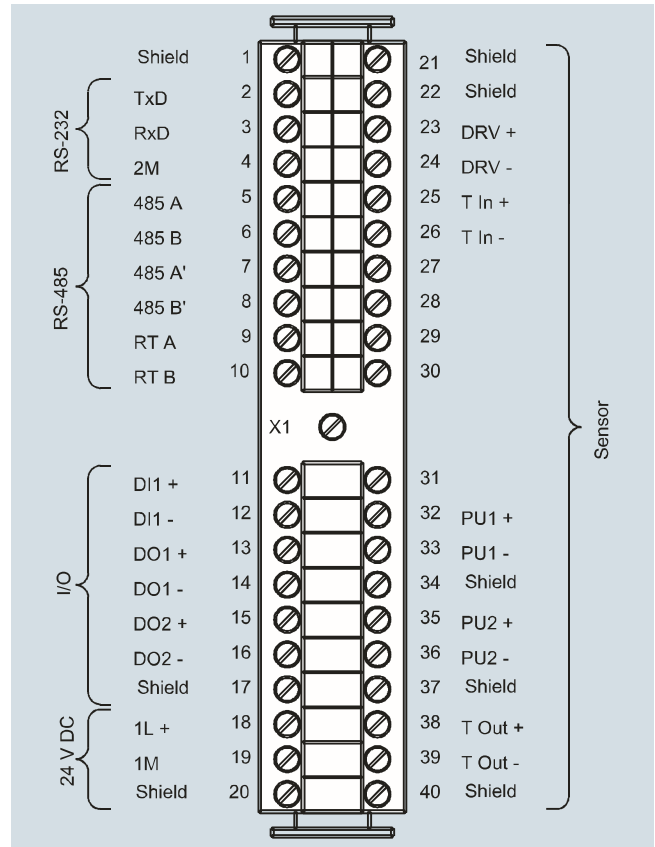
SIFLOW FC070, dimensions in mm (inch)



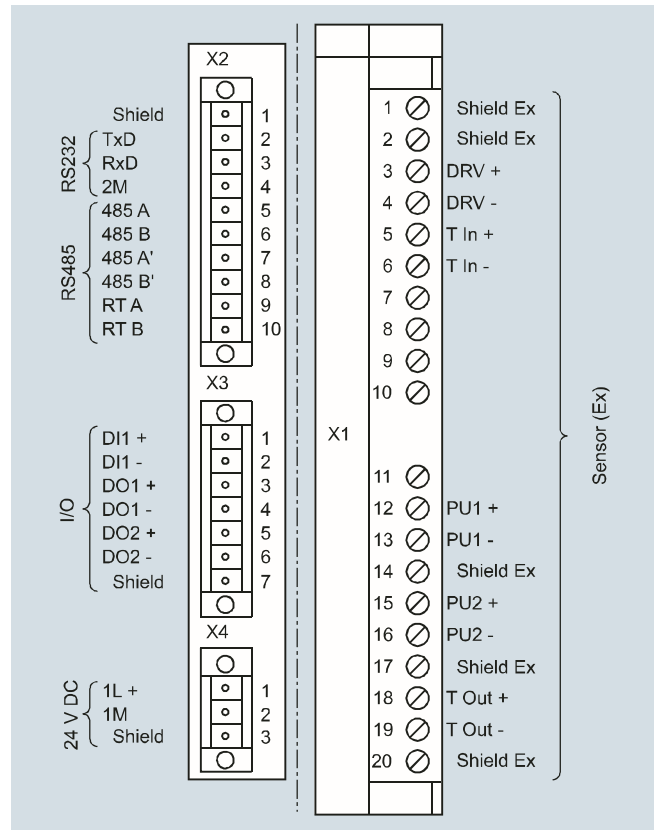
Weight of module: 0.50 kg (1.13 lbs) without front connectors

SIFLOW FC070 Ex CT, dimensions in mm (inch)

Schematics



SIFLOW FC070, electrical connection



SIFLOW FC070 Ex CT, electrical connection